

## **5.26.27 CLOCK AND BELL SYSTEM DESIGN AND CONSTRUCTION STANDARD**

---

### **PART 1: GENERAL**

#### 1.01 Scope of Standard

- A. This standard provides general guidance concerning the specific preferences of The University of Texas at Austin for clock and bell systems.

#### 1.02 General Requirements

- A. Not all campus buildings will need clock and bell systems. Verify with the University. Where a clock and bell system is needed, clocks are to be limited to classrooms and main public spaces within the building, unless directed otherwise.

### **PART 2: PRODUCTS**

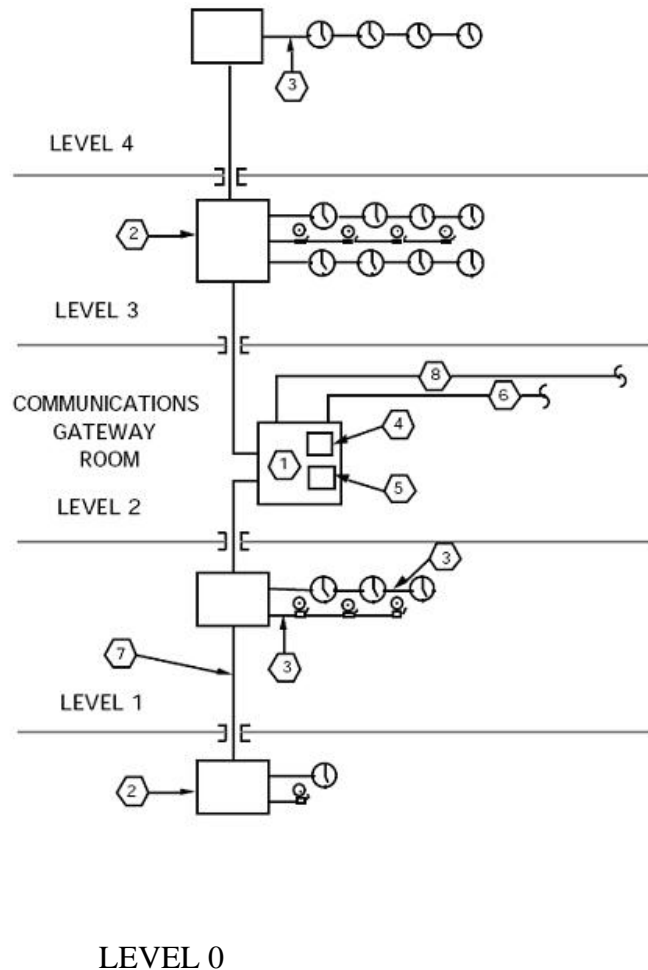
- A. Refer to attached diagrams. Noted products are to be furnished, or approved equal.

### **PART 3: EXECUTION**

- A. Refer to diagrams included on following sheets.

## 5.26.27 CLOCK AND BELL SYSTEM DESIGN AND CONSTRUCTION STANDARD

### TYPICAL BUILDING CLOCK AND BELL RISER DIAGRAM LEVEL 4



1. Simplex Building Time Control Center 6351-9001 with RS232 Interface
2. Building Clock and Bell floor junction box at each level to be labeled UT Clocks.
3. Wiring to individual instruments via 3/4" EMT conduit and #14 GA wiring. Wire color coding as follows: clocks - white = neutral, black = hot, red = correction, bells -blue.
4. Simplex 6400-9568 Code Converter for Data Pair synchronization to Campus 6400 Grand Master
5. Simplex Line Amp 2301-9513 and a 12VDC Bell signaling relay on a base...
6. 3/4" EMT conduit to telephone terminal room for Data Pair connections .
7. Wiring pathway between Communication Terminal Room (CTR) and Communications Gateway Room via floor sleeves and 3/4" EMT conduit.

**5.26.27 CLOCK AND BELL SYSTEM**  
**DESIGN AND CONSTRUCTION STANDARD**

---

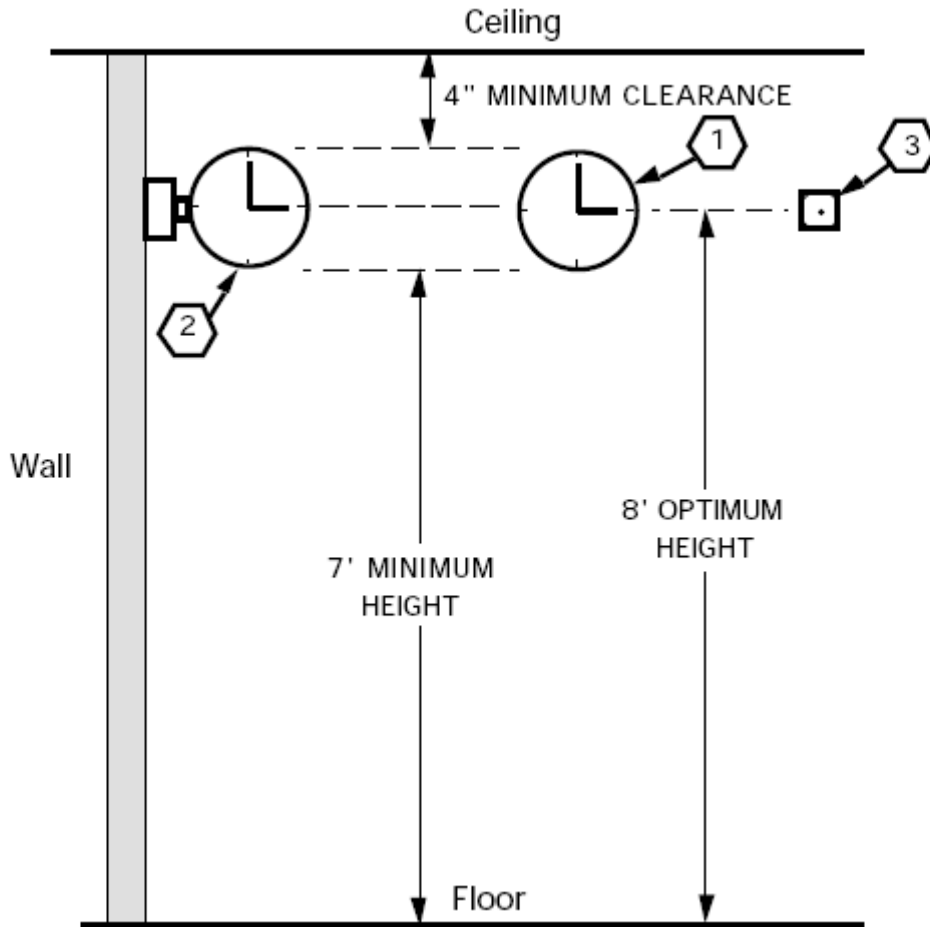
8. 120 VAC, 20 amp power circuit dedicated to building Clock and Bell system.

U.T. Facilities Maintenance Fire Safety Systems Shop, revised 11/07 CJR

**5.26.27 CLOCK AND BELL SYSTEM  
DESIGN AND CONSTRUCTION STANDARD**

---

TYPICAL CLOCK AND BELL MOUNTING DETAIL



1. Semi-flush 15" wall mounted clock, Simplex .6310-9250 with 2975-9038 back box.
2. Wall mounted 15" double dial clock assembly, Simplex 6310 series with 2975-9024 back box. Note: Ceiling mount is not allowed for Double Dial Clocks
3. Semi Flush wall mounted 4" Low db 115VAC bell signaling device with trim plate..

END OF STANDARD